

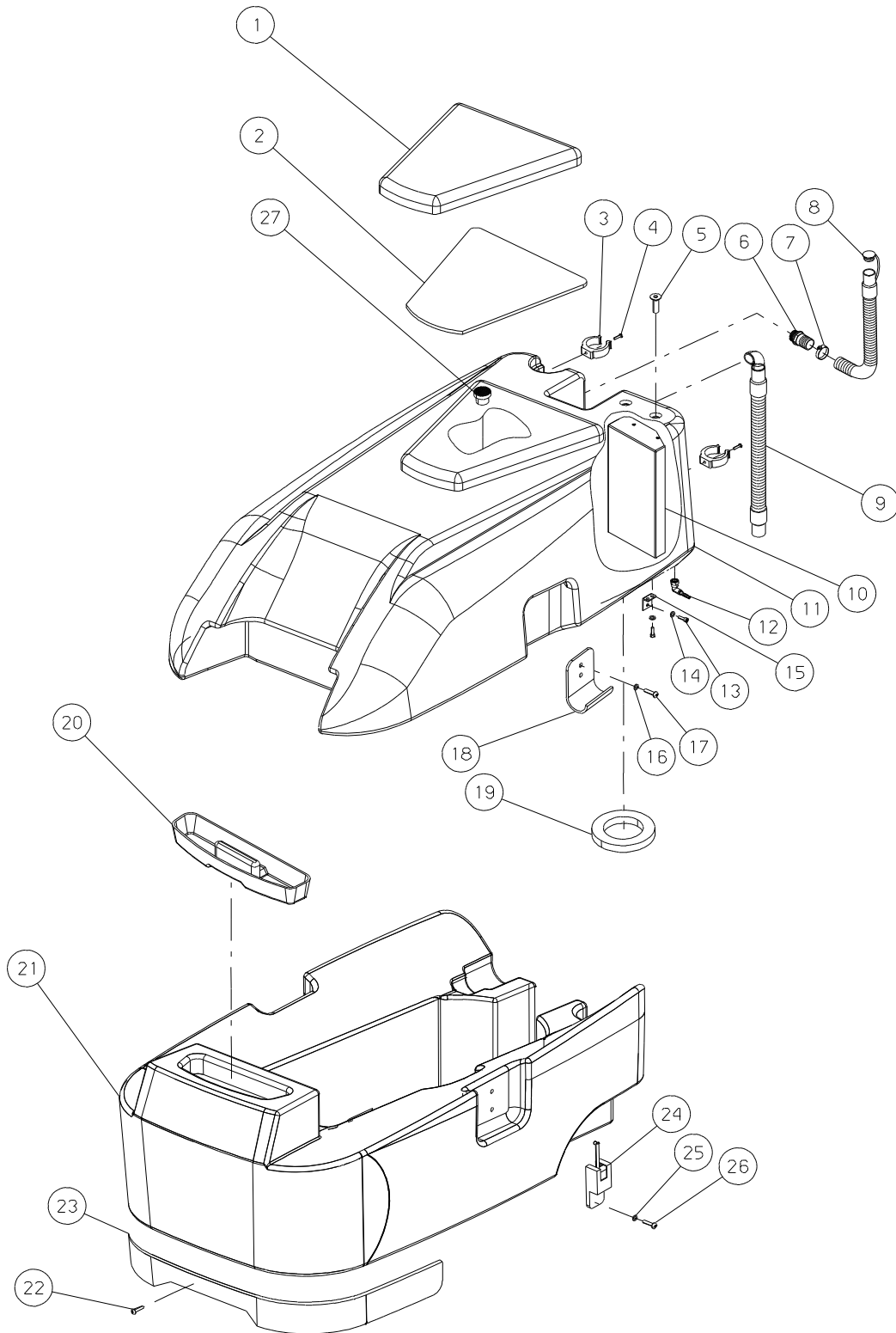
fiorentini

DELUXE 350

PARTI DI RICAMBIO
SPARE PARTS
PIECES DETACHEES
ERSATZTEILE

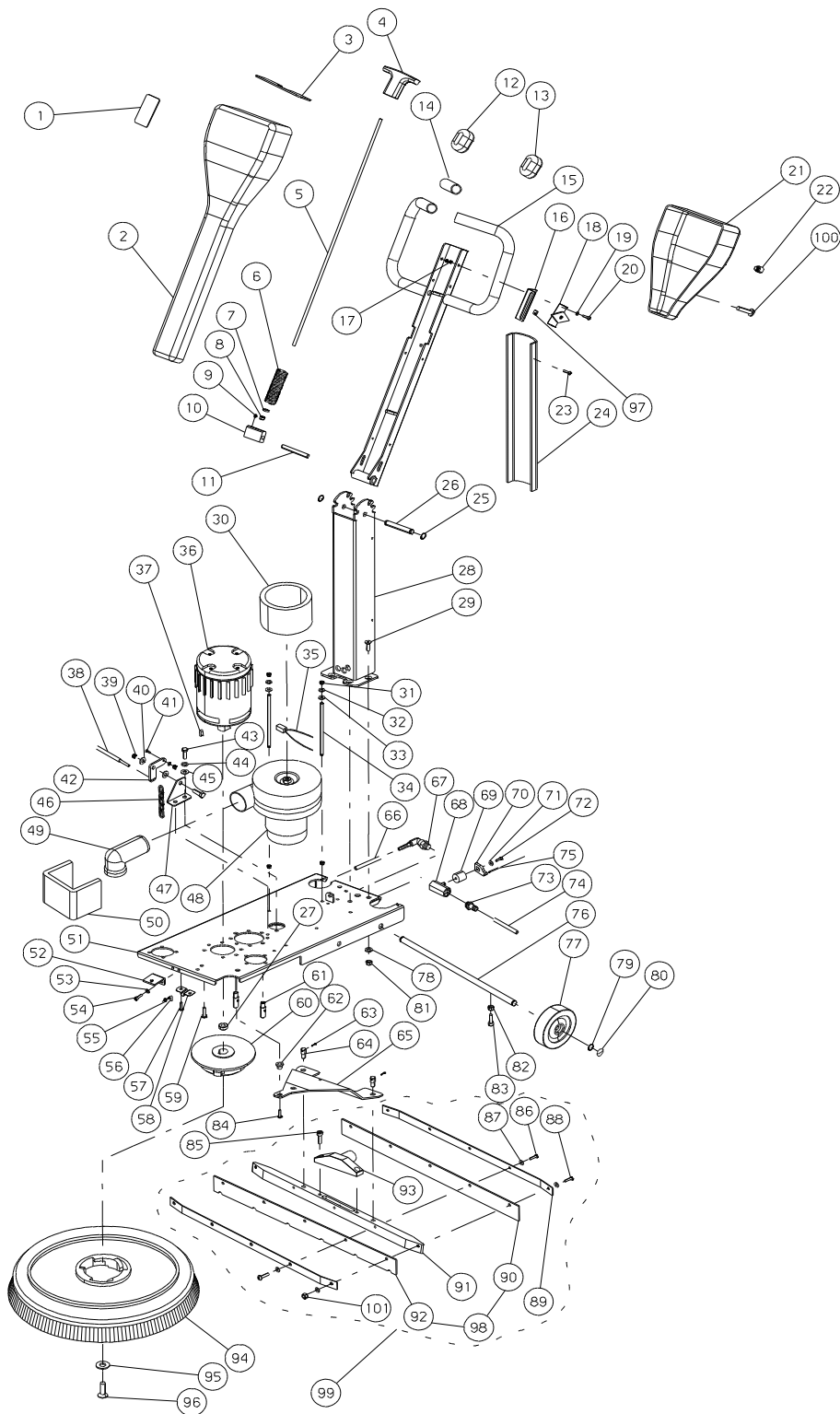


**ING. O. FIORENTINI
INDUSTRIAL CLEANING MACHINE**



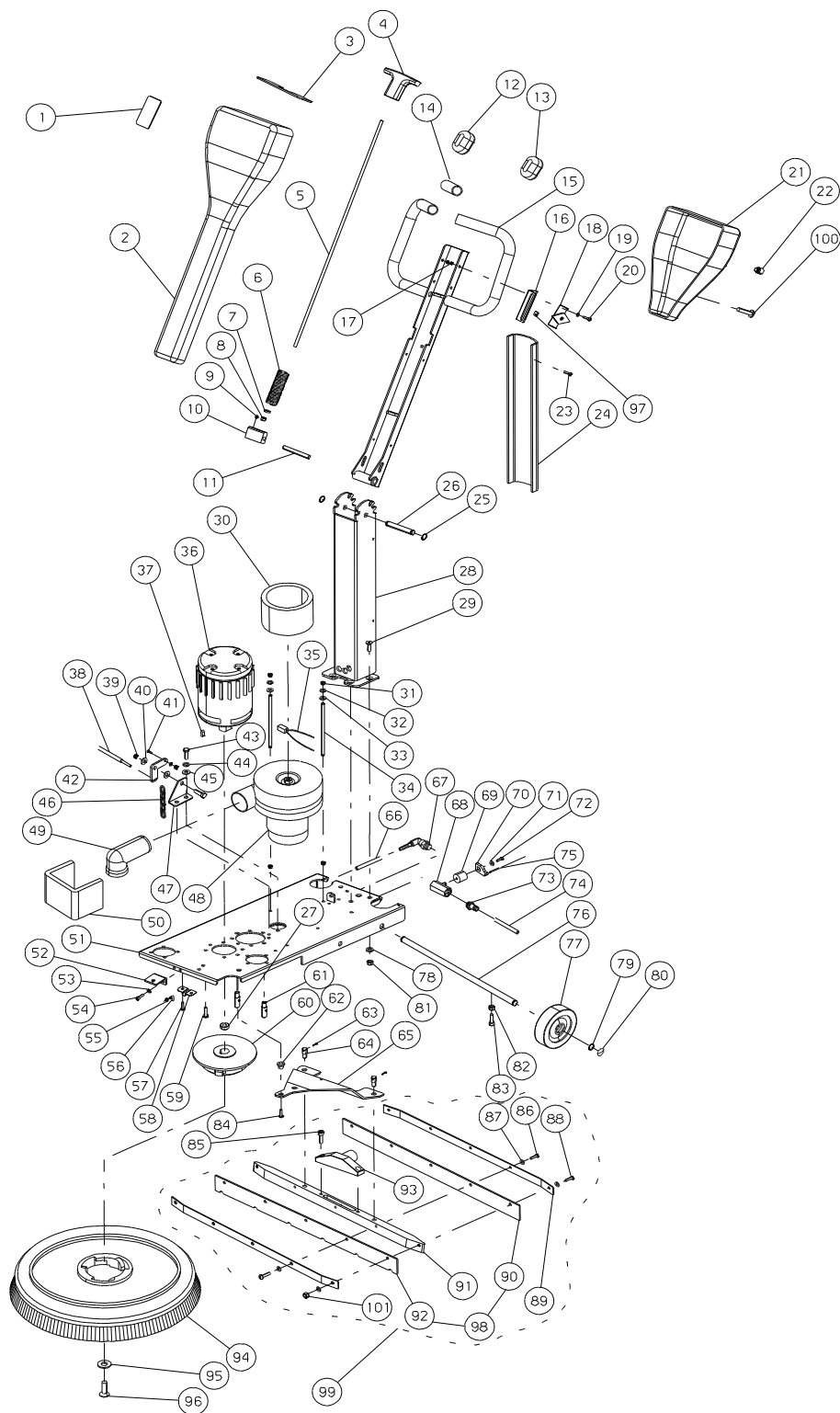


N.Position	Code Num	Qta	Descrizione	Description	Description	Bezeichnung
D35.01.001	CO257	1	COPERCHIO SERBATOIO SOLUZIONE	SOLUTION TANK COVER	COUVERCLE RESERVOIR S	LOESUNGSTANKDECKE L
D35.01.002	GR187	1	GUARNIZIONE INTERNA COPERCHIO	GASKET	GARNITURE COUVERCLE	DICHTUNG
D35.01.003	ML022	2	MOLLA PER TUBO FLEX	SPRING	RESSORT	FEDER
D35.01.004	VC403	2	VITE CILIN.CROCE M4x12 UNI 7687 INO	SCREW	VIS	SCHRAUBE
D35.01.005	VV414	2	VITE SVASATA A BRUGOLA M5x12 UNI593	SCREW	VIS	SENKSCHRAUBE
D35.01.006	RC209	1	RACCORDO PORTAGOMMA 3/4"G IN PLASTI	FITTING	RACCORD	ANSCHLUSS
D35.01.007	FS004	1	FASCETTA 30/50	CLAMP 30/50	BANDE	SHELLE
D35.01.008	TB343	1	TUBO SCARICO RECUPERO C/TAPPO	DISCHARGE PIPE	TUYAU DECHARGEMENT	ROHR
D35.01.009	TB344	1	TUBO SQUEEGEE	SQUEEGEE PIPE	TUYAU SUCEUR	SAUGFUSSROHR
D35.01.010	ST170	1	STAFFA INTERNA SERBATOIO	TANK FLASK	ETRIER	TANKSTANGE
D35.01.011	SB202G	1	SERBATOIO RECUPERO GIALLO	RECOVERY TANK (YELLOW)	RESERVOIR DECHARGEMEN(JAUNE)	ZURUECKGEWINNUNG STANK (GELB)
D35.01.011	SB202B	1	SERBATOIO RECUPERO BLU	RECOVERY TANK (BLUE)	RESERVOIR DECHARGEMEN(BLEN)	ZURUECKGEWINNUNG STANK (BLAU)
D35.01.011	SB202P	1	SERBATOIO RECUPERO PIONEER	RECOVERY TANK	RESERVOIR DECHARGEMEN	ZURUECKGEWINNUNG STANK
D35.01.011	SB202S	1	SERBATOIO RECUPERO GRIGIO SCURO	RECOVERY TANK (DARK GREY)	RESERVOIR DECHARGEMEN(GRIS FONCE)	ZURUECKGEWINNUNG STANK(DUNKELGRAU)
D35.01.011	SB202C	1	SERBATOIO RECUPERO GRIGIO CHIARO	RECOVERY TANK (HELL GREY)	RESERVOIR DECHARGEMEN(GRIS CLIR)	ZURUECKGEWINNUNG STANK(HELL GRAU)
D35.01.011	SB202R	1	SERBATOIO RECUPERO ROSSO	RECOVERY TANK (RED)	RESERVOIR DECHARGEMEN (ROUGE)	ZURUECKGEWINNUNG STANK(ROT)
D35.01.012	RC024	1	RACCORDO TUBO 3/8 M P/GOMMA 12 A 90	CONNECTOR	RACCORD	ANSCHLUSS
D35.01.013	VB427	6	VITE CIL.BRUGOLA M8x10 UNI5931 INOX	SCREW	VIS	SCHRAUBE
D35.01.014	RO455	6	RONDELLA SPACCATA DIAM. 8 UNI 1751	INOX WASHER	RONDELLE	SCHEIBE
D35.01.015	LM067	2	SQUADRO LEVA RINVIO TIRANTE SOLUZIO	SHEET	EQUERRE	WINKEL
D35.01.016	RO452	4	ROSETTA SPACCATA D.4 UNI 1751 INOX	WASHER	RONDELLE	SCHEIBE
D35.01.017	VC402	4	VITE CILIN.CROCE M4x10 UNI 7687 INO	SCREW	VIS	ZYLINDERSCHRAUBE
D35.01.018	PH112	1	PIASTRINA PER GANCIO REGOLABILE	SHEET	PETITE TOLE	BLECHLEIN
D35.01.019	GR036	1	GUARNIZIONE MOTORE ASPIRAZIONE	SUCTION MOTOR GASKET	GARNITURE	DICHTUNG
D35.01.020	CO258	1	COPERCHIO SERBATOIO RECUPERO	RECOVERY TANK CAP	COUVERCLE RESERVOIR D	DECKEL
D35.01.021	SB203B	1	SERBATOIO SOLUZIONE BLU	SOLUTION TANK (BLUE)	RESERVOIR SOLUTION (BLEU)	LOESUNGSTANK (BLAU)
D35.01.021	SB203P	1	SERBATOIO SOLUZIONE PIONEER	SOLUTION TANK	RESERVOIR SOLUTION	LOESUNGSTANK
D35.01.021	SB203S	1	SERBATOIO SOLUZIONE GRIGIO SCURO	SOLUTION TANK (DARK GREY)	RESERVOIR SOLUTION (GRIS FONCE)	LOESUNGSTANK(DUNK ELGRAU)
D35.01.021	SB203C	1	SERBATOIO SOLUZIONE GRIGIO CHIARO	SOLUTION TANK (HELL GREY)	RESERVOIR SOLUTION (GRIS CLIR)	LOESUNGSTANK (HELL GRAU)
D35.01.021	SB203R	1	SERBATOIO SOLUZIONE ROSSO	SOLUTION TANK (RED)	RESERVOIR SOLUTION (ROUGE)	LOESUNGSTANK (ROT)
D35.01.022	VC410	11	VITE CILIN.CROCE M5x12 UNI 7687 INO	SCREW	VIS	ZYLINDERSCHRAUBE
D35.01.023	BP347	1	BUMPER FRONTALE	FRONT BUMPER	CAOUTCHOU AVANT	VORDERGUMMI
D35.01.024	CC008	2	GANCIO COMPLETO PPL *FANTAS*	PPL HOOK	CROCHET	VERZINKTER HAKEN
D35.01.025	RO453	4	ROSETTA SPACCATA D.5 UNI 1751 INOX	STAINLESS STEEL WASHE	RONDELLE	SCHEIBE
D35.01.026	VC410	4	VITE CILIN.CROCE M5x12 UNI 7687 INO	SCREW	VIS	ZYLINDERSCHRAUBE
D35.01.027	FT005	1	FILTRO MOTORE ASPIRAZIONE	SUCTION MOTOR FILTER	FILTRE	FILTER



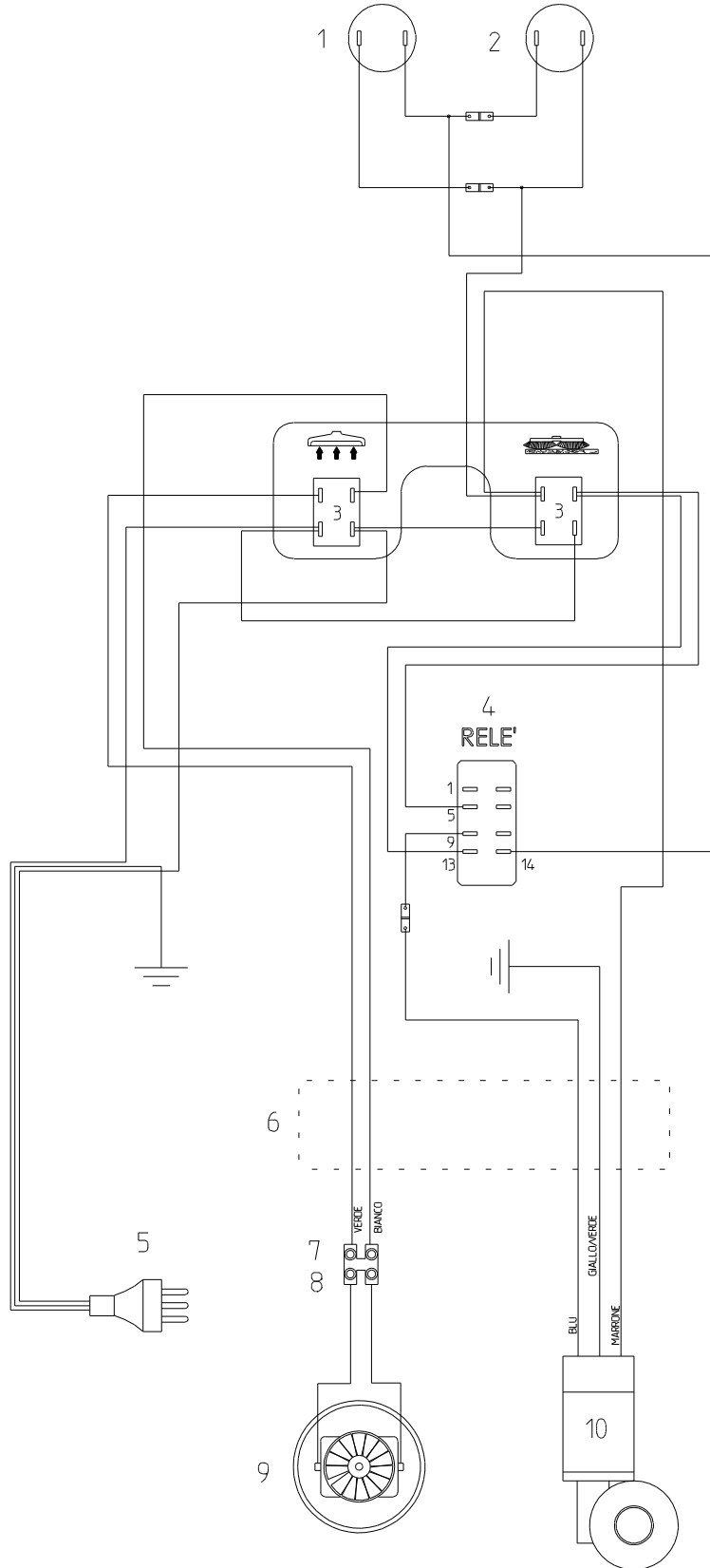


N.Position	Code Num	Qta	Descrizione	Description	Description	Bezeichnung
D35.02.001	TG149	1	TARGHETTA PLANCIA FRONTALE	DASHBOARD STICKER	ADESIF TABLEAU DE BOR	TAFELSCHILDCHEN
D35.02.002	CO256	1	COPERCHIO IMPIANTO ELETTRICO	ELECTRIC SYSTEM COVER	COUVERCLE INSTALLATIO	ELEKTROANLAGEDECKEL
D35.02.003	TG148	1	TARGHETTA PLANCIA SUPERIORE	UPPER DASHBOARD STICK	ADESIF TABLEAU DE BOR	OBENTAFELSCHILDCHEN
D35.02.004	VP079	1	POMELLO A T M6	T-KNOB	POIGNEE	T-KNOPF
D35.02.005	MV133	1	TRAFILA REGOLAZIONE MANICO	HANDLEBAR THREADED BA	FILIERE POIGNEE	GEWINDESTANGE
D35.02.006	ML019	1	MOLLA	SPRING	RESSORT	FEDER
D35.02.007	RO503	1	ROSETTA SLARGATA D.6x24 UNI6592/69	STAINLESS STEEL WASHE	RONDELLE	SCHEIBE
D35.02.008	DD404	1	DADO M6 UNI 5588/65 INOX	STAINLESS STEEL NUT	ECROU	MUTTER
D35.02.009	VG010	1	GRANO M5x8 UNI 5927/67 C/PUNTA	DOWEL	GRAIN	DUEBEL
D35.02.010	MV134	1	BLOCCHETTO SUPP.PERNO FISSAGGIO MAN	SUPPORT	SUPPORT	STUETZE
D35.02.011	PE291	1	PERNO AGGANCIO MANICO	HANDLEBAR PIN	PIVOT POIGNEE	HANDGRIFFSTIFT
D35.02.012	MI310	1	POMELLO NERO AE300	BLACK KNOB	POIGNEE NOIRE	SCHWARZER KNOPF
D35.02.013	MI309	1	POMELLO ROSSO AE300	RED KNOB	POIGNEE ROUGE	ROTER KNOPF
D35.02.014	MN065	2	MANOPOLA CON FORO ART.738	HAND GRIP	POIGNEE	KNOPF
D35.02.015	MN089	1	MANICO SUPERIORE	UPPER HANDLEBAR	POIGNEE SUPERIEURE	HANDGRIFF OBEN
D35.02.016	PT348	2	PIASTRINA FERMA LEVA	LEVER SHEET	PETITE TOLE POUR LEVI	BLECHLEIN
D35.02.017	DD403	5	DADO M5 UNI 5588/65 INOX	INOX NUT	ECROU	MUTTER
D35.02.018	MI307	2	LEVA COMANDO ALZA SQUEEGEE/PIATTO	SQUEEGEE/PLATE LEVER	LEVIER SUCEUR/PLATEAU	SAUGFUSS- UND PLATTEH
D35.02.019	RO453	4	ROSETTA SPACCATA D.5 UNI 1751 INOX	STAINLESS STEEL WASHE	RONDELLE	SCHEIBE
D35.02.020	VC413	4	VITE CILIN.CROCE M5x16 UNI 7687 INO	SCREW	VIS	ZYLINDERSCHRAUBE
D35.02.021	CO254	1	COPERCHIO MANICO SUPERIORE	UPPER HANDLE COVER	COUVERCLE POIGNEE SUP	DECKEL FUER GRIFF OBE
D35.02.022	PY159	1	PASSACAVO CON FERMA CAVO PG11	FAIRLEAD	PASSE-CABLE	KABELDURCHGANG
D35.02.023	VS410	4	VITE SVASATA T/C M4x10 UNI 7688 INO	SCREW	VIS	SENKSCHRAUBE
D35.02.024	CO255	1	COPERCHIO MANICO INFERIORE	LOWER HANDLEBAR COVER	COUVERCLE POIGNEE INF	DECKEL FUER GRIFF UNT
D35.02.025	SG001	2	ANELLO SEEGER PER EST.DIAM.10 UNI 7	SEEGER RING	SEEGER	SEEGERRING
D35.02.026	PE290	1	PERNO OSCILLAZIONE MANICO	HANDLEBAR PIN	PIVOT POIGNEE	HANDGRIFFSTIFT
D35.02.027	DT221	1	DISTANZIALE	SPACER	ENTRETOISE	DISTANZSTUECK
D35.02.028	MN090	1	MANICO INFERIORE	LOWER HANDLEBAR	POIGNEE INFERIEURE	HANDGRIFF UNTEN
D35.02.029	VV441	4	VITE SVAS.BRUGOLA M8x20 UNI 5933/77	SCREW	VIS	SCHRAUBE
D35.02.030	GR111	1	GUARNIZIONE MOTORE ASPIRAZIONE	GASKET	GARNITURE	DICHTUNG
D35.02.031	DD404	6	DADO M6 UNI 5588/65 INOX	STAINLESS STEEL NUT	ECROU	MUTTER
D35.02.032	RO454	6	RONDELLA SPACCATA DIAM. 6 UNI 1751	INOX WASHER	RONDELLE	SCHEIBE
D35.02.033	RO403	3	RONDELLA NORM.DIAM. 6 UNI 6592/69 I	INOX WASHER	RONDELLE	SCHEIBE
D35.02.034	MV138	3	TRAFILA MOTORE ASPIRAZIONE	SUCTION ENGINE THREAD	FILIERE MOTEUR ASPIRA	GEWINDE STANGE FUER A
D35.02.035	MP256	2	CARBONCINO x MOTORE MO216 230V	BRUSH FOR MOT.MO216	CHARBON MOT. MO216	KOEHLE
D35.02.036	MO419	1	MOTORIDUTTORE SPAZZOLE A 220V 370W	BRUSHES REDUCTION GEA	REDUCTEUR BROSSES	GETRIEBEMOTOR
D35.02.037	CH011	1	LINGUETTA 5x5x20 UNI6604-A	TONGUE	CLAVETTE	PASSFEDER
D35.02.038	MI304	1	CAVO SOLLEVAMENTO SQUEEGEE	CABLE	CABLE	KABEL
D35.02.039	DD454	1	DADO AUTOBLOCCANTE M8 INOX	INOX SELF-LOCKING NUT	ECROU DE SURETE	SICHERUNGSMUTTER
D35.02.040	RO524	2	RONDELLA ONDULATE INOX d 8 UNI137A	STAINLESS STEEL WASHE	RONDELLE	EDELSTAHLSCHEIBE
D35.02.041	VV412	1	VITE SVAS. BRUGOLA M4x12 UNI5933/77	SCREW	VIS	SCHRAUBE
D35.02.042	LV397	1	LEVA SOLLEVAMENTO SQUEEGEE	SQUEEGEE LEVER	LEVIER SUCEUR	SAUGFUSSHEBEL
D35.02.043	VE442	2	VITE ESAGONALE M6x12 UNI 5737/77 IN	SCREW	VIS	SECHSECKIGE SCHRAUBE
D35.02.044	RO454	2	RONDELLA SPACCATA DIAM. 6 UNI 1751	INOX WASHER	RONDELLE	SCHEIBE
D35.02.045	RO503	2	ROSETTA SLARGATA D.6x24 UNI6592/69	STAINLESS STEEL WASHE	RONDELLE	SCHEIBE
D35.02.046	MI308	1	CATENELLA 5 MAGLIE	CHAIN	CHAINE	KETTE
D35.02.047	LM650	1	SQUADRO LEVA RINVIO SOLUZIONE	SHEET	PETITE TOLE	BLECHLEIN
D35.02.048	MO216	1	MOTORE ASPIRAZIONE 230V 50Hz 550W C	SUCTION MOTOR 230V 50	MOTEUR ASPIRATION	ANSAUGMOTOR
D35.02.049	RC030	1	RACCORDO 90° HTB-DN	UNION	RACCORD	ANSCHLUSS
D35.02.050	IS039	1	INSONORIZZAZIONE MOTORE SPAZZOLA	BRUSH ENGINE SOUNDPRO	INSONORISATION MOTEUR	LAERMSCHUTZ
D35.02.051	TP158	1	TELAIO BASE PER DELUX350	MAIN FRAME	CHASSIS	HAUPTRAHME
D35.02.052	LM067	1	SQUADRO LEVA RINVIO TIRANTE SOLUZIO	SHEET	EQUERRE	WINKEL
D35.02.053	RO455	3	RONDELLA SPACCATA DIAM. 8 UNI 1751	INOX WASHER	RONDELLE	SCHEIBE
D35.02.054	VB428	3	VITE CIL.BRUGOLA M8x12 UNI5931 INOX	SCREW	VIS	SECHSECKIGE SCHRAUBE
D35.02.055	FS012	1	FASCETTA 10/16	CLAMP 10/16	AGRAFE	SHELLE
D35.02.056	RC112	1	RACCORDO M/M A 90 D.10	UNION	RACCORD	VERBINDUNG
D35.02.057	VC410	2	VITE CILIN.CROCE M5x12 UNI 7687 INO	SCREW	VIS	ZYLINDERSCHRAUBE
D35.02.058	MI079	1	CAVALLOTTO D.13MM	RING	PONT	BUEGELBOLZEN
D35.02.059	VB479	4	VITE TESTA LARGA BOMBATA INOX	SCREW	VIS	SCHRAUBE
D35.02.060	FL088	1	FLANGIA ATTACCO SPAZZOLA DELUX350	BRUSH FLANGE	BRIDE BROSSE	BUERSTENFLANSCH





D35.02.061	PE040	2 PERNO FISSAGGIO SQUEEGEE	SQUEEGEE FASTEN.PIN	PIVOT	BOLZEN
D35.02.062	BO146	1 BOCCOLA □ 8 INT. PER RIDUTTORE SMIL	BUSH	DOUILLE	BUCHSE
D35.02.063	CP212	2 COPIGLIA DIAM.3x50 UNI 1336	SPLIT PIN	GOUPILLE	SPLINT
D35.02.064	PE297	2 PERNO AGGANCIO SQUEEGEE	SQUEEGEE PIN	PIVOT SQUEEGEE	SAUGFUSSSTIFT
D35.02.065	SU613	1 SUPPORTO SQUEEGEE PER DELUX350	SQUEEGEE SUPPORT	SUPPORT SUCEUR	SAUGFUSSSTUECKE
D35.02.066	TB342	1 TUBO D=10 L=530	PIPE	TUYAU	ROHR
D35.02.067	RC112	1 RACCORDO M/M A 90 D.10	UNION	RACCORD	VERBINDUNG
D35.02.068	RB005	1 RUBINETTO SOLUZIONE F/F 3/8G L=41mm	VALVE	ROBINET	LOESUNGSHAHN
D35.02.069	DT053	1 DISTANZIALE RUBINETTO	VALVE SPACER	ENTRETOISE	DISTANZSTUECK
D35.02.070	LV396	1 LEVA APERTURA RUBINETTO	COCK LEVER	LEVIER ROBINET	HAHNHABEL
D35.02.071	RO500	1 RONDELLA SLARG.D.5X15 UNI6592/69 IN	INOX WASHER	RONDELLE	SCHEIBE
D35.02.072	WB010	1 VITE BRUGOLA CIL.10-24x3/8" BRUNITA	SCREW	VIS	SCHRAUBE
D35.02.073	RC217	1 RACCORDO 3/8 MASCHIO P/GOMMA 10	UNION	RACCORD	ANSCHLUSS
D35.02.074	TB250	1 TUBO D=10 L=360	PIPE	TUYAU	ROHR
D35.02.075	MI303	1 CAVO APERTURA ACQUA	CABLE	SUCEUR	SAUGFUSSKABEL
D35.02.076	AL137	1 ASSALE RUOTE PER DELUX350	AXLE	ESSIEU ROUES	RADWELLE
D35.02.077	RT180	2 RUOTA POSTERIORE D=150	REAR WHEEL	ROUE ARRIERE	RADKRAD
D35.02.078	RO455	4 RONDELLA SPACCATA D.8 INOX	INOX WASHER	RONDELLE	SCHEIBE
D35.02.079	SG005	2 ANELLO SEEGER PER EST.DIAM.12 UNI 7	SEEGER RING	SEEGER	SEEGERRING
D35.02.080	MI311	2 PARAFILO PER RT180	PLASTIC COVER	PROTECTION EN PLASTIQ	PLASTIKSCHUTZ
D35.02.081	DD454	4 DADO AUTOBLOCCANTE M8 INOX	INOX NUT	ECROU	MUTTER
D35.02.082	DD403	1 DADO M5 UNI 5588/65 INOX	INOX NUT	ECROU	MUTTER
D35.02.083	VS416	2 VITE SVASATA A CROCE M5x30 UNI5931/77	SCREW	VIS	ZYLINDERSCHRAUBE
D35.02.084	VB419	1 VITE CIL.BRUGOLA M6X20 UNI5931-77 I	SCREW	VIS	ZYLINDERSCHRAUBE
D35.02.085	VB423	2 VITE CIL. BRUGOLA M6x12 INOX	SCREW	VIS	ZYLINDERSCHRAUBE
D35.02.086	VC402	6 VITE CILIN.CROCE M4x10 UNI 7687 INO	SCREW	VIS	ZYLINDERSCHRAUBE
D35.02.087	RO401	10 ROSETTA DIAM. 4 UNI 6592/69 INOX	INOX WASHER	RONDELLE	SCHEIBE
D35.02.088	VC406	2 VITE CILIN.CROCE M4x25 UNI 7687 INOX	SCREW	VIS	ZYLINDERSCHRAUBE
D35.02.089	LM642	2 LISTELLO FERMA LAMA	RUBBER LISTEL	BORD CAOUTCHOU	GUMMILEISTE
D35.02.090	BP349	1 LAMA POSTERIORE	REAR RUBBER	CAOUTCHOU ARRIERE	RUECKMESSER
D35.02.091	SQ074	1 CORPO SQUEEGEE PER DELUX350 DRITTO	SQUEEGEE	SUCEUR	SAUGFUSS
D35.02.092	BP348	1 LAMA FRONTALE	FRONT RUBBER	CAOUTCHOU AVANT	VORDERGUMMI
D35.02.093	SB209	1 BOCCHETTA ASPIRAZIONE SQUEEGEE	SQUEEGEE SUCTION MOUT	BOUCHE D'ASPIRATION S	SAUGFUSSANSAUGMUND
D35.02.094	SZ048	1 SPAZZ.LAVARE 340mm C/SETOLE NYLON	NYLON WASHING BRUSH	BROSSE NYLON	NYLONBUERSTE
D35.02.095	RO502	1 RONDELLA SLARG. D.8X24 UNI6592/69 INOX	INOX WASHER	RONDELLE	SCHEIBE
D35.02.096	VV441	1 VITE SVAS.BRUGOLA M8x20 UNI 5933/77	SCREW	VIS	SCHRAUBE
D35.02.097	PT353	1 PIASTRINA PER REGOLAZIONE LEVA SQUEEGEE	LEVER ADJUSTMENT SHEET	PLATEAU REGULATION LEVRIER	HEBELBLECHLEIN FUER REGULIERUNG
D35.02.098	KIT839	1 KIT SERIE LAME	SQUEEGEE BLADES SET	JEUX BAVETTES ASPIR.	SAUGMESSERSERIE
D35.02.099	KIT840	1 KIT ASSEMBLAGGIO SQUEEGEE COMPLETO	SQUEEGEE ASSEMBLY	SUCEUR COMPLET	SAUGGERZUSAMMENBAU
D35.02.100	VB425	1 VITE CIL. A BRUGOLA BOMBATA M6x16 INOX	SCREW	VIS	SCHRAUBE
D35.02.101	DD451	2 DADO AUTOBLOCCANTE M4 INOX	INOX NUT	ECROU	MUTTER





N.Position	Code Num	Qta	Descrizione	Description	Description	Bezeichnung
D35.03.001	PY831	1	PULSANTE MANUBRIO NERO	BLACK HANDLEBAR SWITC	INTERRUPTEUR POIGNEE	SCHALTER
D35.03.002	PY833	1	PULSANTE MANUBRIO ROSSO -	RED HANDLEBAR SWITCH	INTERRUPTEUR POIGNEE	SCHALTER
D35.03.003	IN068	2	INTERR.UNIP. LUMINOSO ROSSO 250V IP	SWITCH 250V IP65	INTERRUPTEUR LUM.ROUG	SCHALTER
D35.03.004	PY832	1	RELE' SPAZZOLE 220V	BRUSHES RELAY	RELAIS BROSSES	BUERSTENRELAIS
D35.03.005	PY261	1	CAVO 3x1.5 SPINA EUROPEA mt.15	CABLE	CABLE	KABEL
D35.03.006	CW288	1	CAVO COLLEGAMENTO MOTORE ASP/SPAZZO	CABLE	CABLE	KABEL
D35.03.007	PY030	1	SPINA FEMMINA TIPO 160BU	FEMALE PLUG	CONNECTEUR	DOSE
D35.03.008	PY031	1	SPINA MASCHIO TIPO 163/2	MALE PLUG	CONNECTEUR	STECKER
D35.03.009	MO216	1	MOTORE ASPIRAZIONE 230V 50Hz 550W C	SUCTION MOTOR 230V 50	MOTEUR ASPIRATION	ANSAUGMOTOR
D35.03.010	MO419	1	MOTORIDUTTORE SPAZZOLE A 220V 450W	BRUSHES REDUCTION GEA	REDUCTEUR BROSSES	GETRIEBEMOTOR



Mat. n.
Serial no.
Nr. de serie

Data di spedizione
Date of shipment
Date de spedition

Distributed by:

ING. O. FIORENTINI s.r.l.
“THE BEST IN FLOOR MACHINES”

FILIALI:

20132 MILANO – Fax. 02/2592779

Via Palmanova 211/a – Tel. 02/27207783 - 2564810

00155 ROMA – Fax. 06/22754075

Via Carlo Carrà 13 – Tel. 06/22754040-2275060

STABILIMENTO:

50030 PIANCALDOLI (FI) – Fax. 055/817144

Loc. Rombola – Tel. 055/8173610